

VM4*C1

VM4*C - 067 - 1 N 00 - A 1 02 *

Series external drain

Series internal drain

Torque

- 024 = 0.39 Nm/bar
- 027 = 0.45 Nm/bar
- 031 = 0.55 Nm/bar
- 043 = 0.74 Nm/bar
- 055 = 0.93 Nm/bar
- 067 = 1.13 Nm/bar
- 075 = 1.27 Nm/bar

Type of shaft

- 1 - keyed (SAE B)
- 2 - keyed (no SAE)
- 3 - splined (SAE B)

Rotation

N - Bi-directional

* S = Severe duty motor

VM4C1-VM4SC1 : Drain port is plugged

View from shaft end:

CW rotation A = inlet B = outlet

CCW rotation A = outlet B = inlet

Modifications

Port connections

- 01 = SAE threaded port
SAE drain
- 02 = SAE 4 bolt flange
UNC threaded - SAE drain
- 04 = SAE 4 bolt flange
UNC threaded - BSPP drain
- M4 = SAE 4 bolt flange
metric threaded - BSPP drain

Seal class

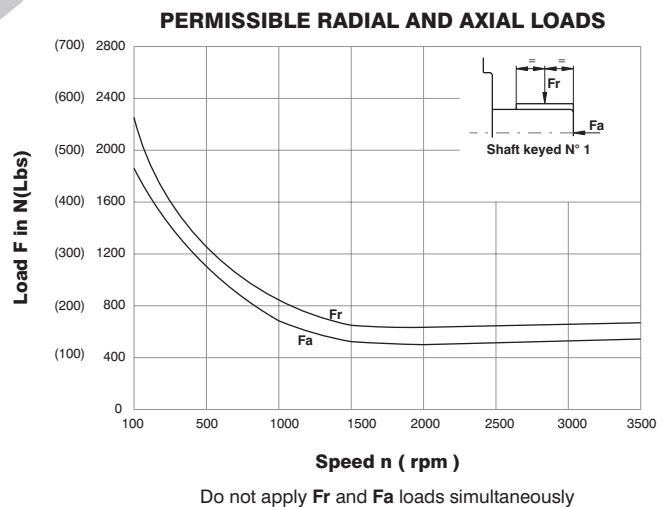
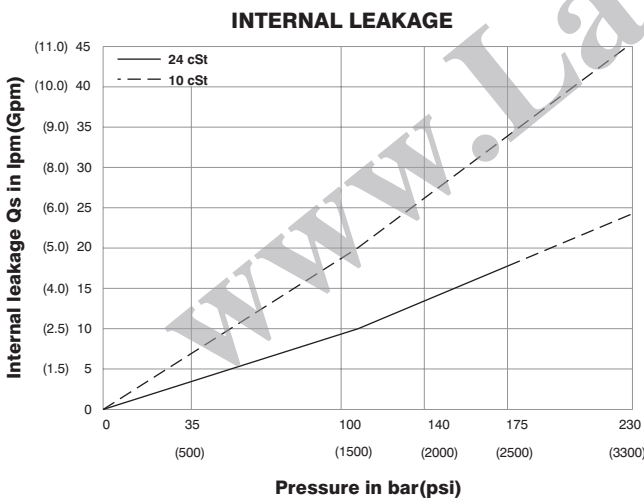
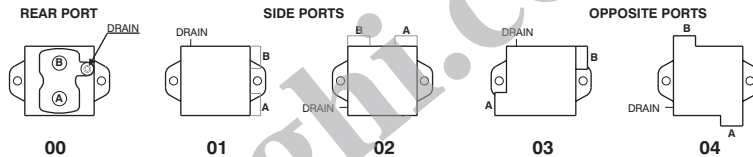
- 1 - S1 (VM4C)
- 5 - S5 (VM4SC)

Design letter

Porting combination

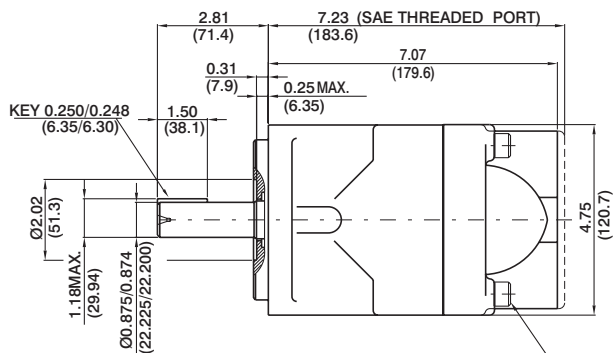
00 - standard

Porting combination



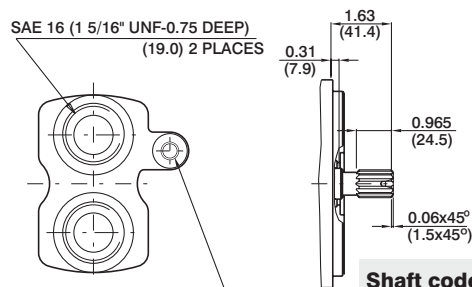
OPERATING CHARACTERISTICS - TYPICAL (24 cSt)

Model	Series	Volumetric Displacement Vi		Input flow at n = 2000 rpm				Torque T at n = 2000 rpm		Power output at n = 2000 rpm	
				Theoretical		at 175 bar (2500 psi) Δp		at 175 bar (2500 psi) Δp		at 175 bar (2500 psi) Δp	
		in ³ /rev	cm ³ /rev	GPM	l/min	GPM	l/min	in.lbf	Nm	HP	KW
VM4C-VM4SC	024	1.49	24.4	13.0	49.0	17.7	67.0	535.4	60.5	17.0	12.7
	027	1.72	28.2	14.8	56.0	19.5	74.0	619.5	70.0	19.7	14.7
	031	2.11	34.5	18.5	69.0	23.2	87.0	768.0	86.8	24.0	18.0
	043	2.84	46.5	24.6	93.0	29.3	111.0	1062.0	120.0	33.6	25.1
	055	3.59	58.8	31.2	118.0	36.0	136.0	1318.6	149.0	41.8	31.2
	067	4.34	71.1	37.5	142.0	42.3	160.0	1504.5	170.0	47.7	35.6
	075	4.89	80.1	42.3	160.0	47.0	178.0	1752.2	198.0	55.6	41.5



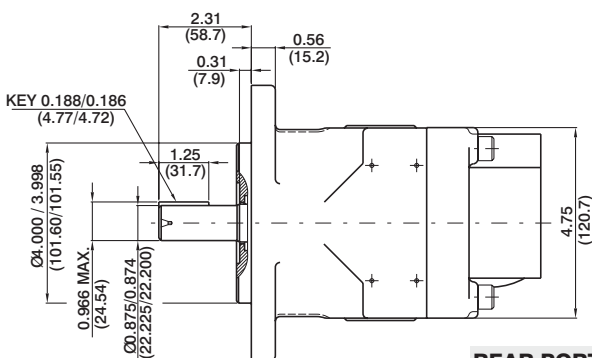
Shaft code 1
(Keyed SAE B)

MOUNTING TORQUE 75 ft.lbs
(102 Nm)



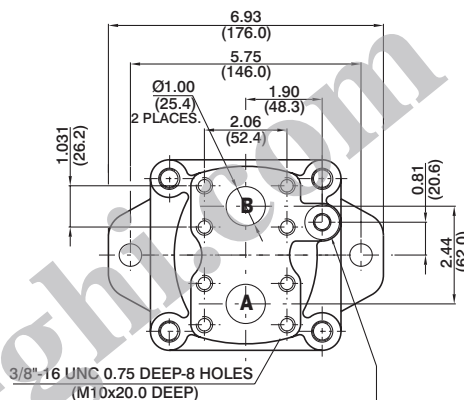
DRAIN SAE 4 (7/16\"-20 UNF)
SAE THREADED PORT

Shaft code 3
SAE B splined shaft
Class 1-J498b
16/32 dp. 13 teeth
30° pressure angle
flat root side fit

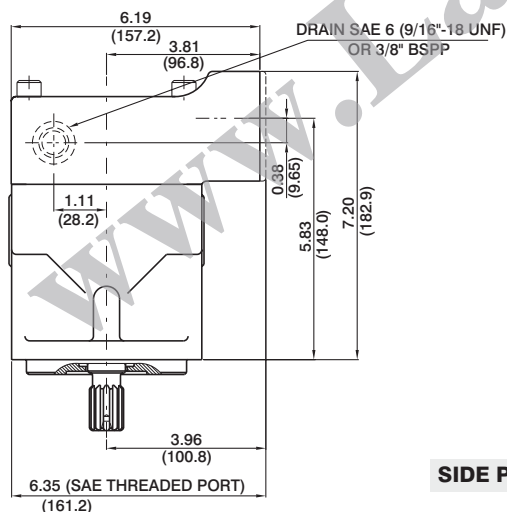


Shaft code 2
(Keyed no SAE)

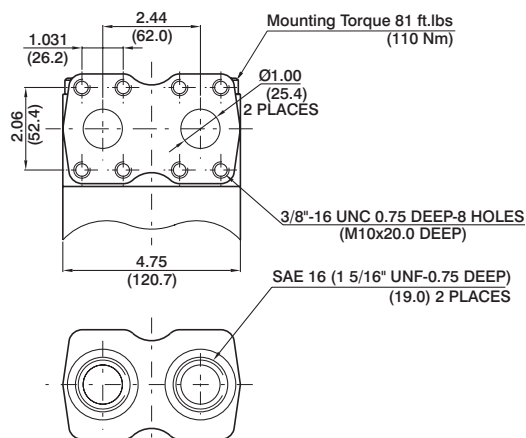
REAR PORTS



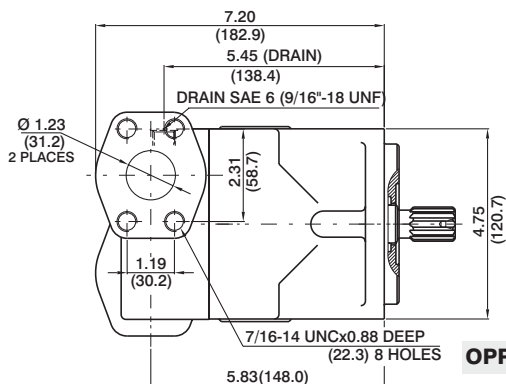
DRAIN SAE 4 (7/16\"-20 UNF) OR 1/4\" BSPP
(PLUG FOR INTERNAL DRAIN)



SIDE PORTS



SAE THREADED PORT



OPPOSITE PORTS

